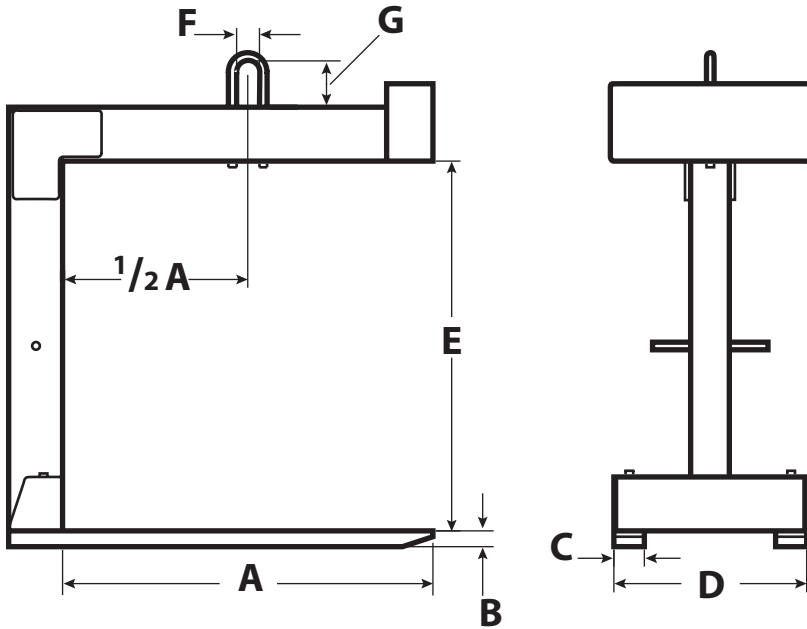


CUSTOM ORDER FORM
Custom Pallet Lifters



Specifications



Capacity

Enter in pounds

- A _____
- B _____
- C _____
- D _____
- E _____
- F _____
- G _____

Quantity

Minimum order quantities will apply

Have you ever purchased this product from us before? Yes No

If you answered "No" to the previous question, what is your current source for this product?

Comments

Contact Details

Contact Name: First _____ Last _____

Company: _____

Address: _____

Address line 2 _____

City: _____ State / Province / Region _____

Postal: Zip Code _____ Country _____

Phone Number: _____ Fax Number: _____