

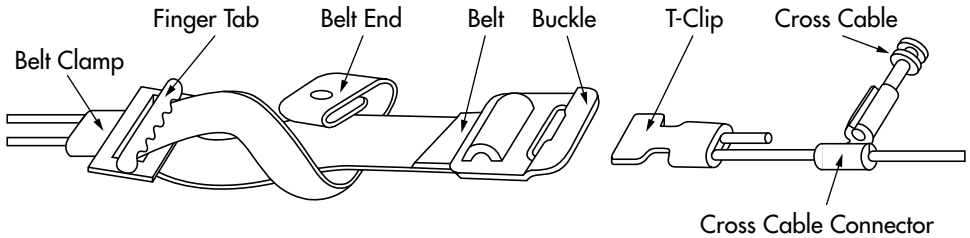
WinterTrac Traction Cables Instruction Manual



PEERLESS
CHAIN COMPANY



Peerless traction cables meet SAE class "S" clearance requirements. Tire sizes vary due to tire manufacturer and tread wear therefore we cannot guarantee proper fit. Always practice installing your Peerless traction cables to check for proper fit before you actually need them. Before installing your cables for the first time familiarize yourself with the parts illustrated below.



- ◀ Park your vehicle, with the engine off, on level ground well clear of any passing traffic. Set the emergency brake and place the transmission in park.

Place the cable on the tire as follows:

▲ FRONT WHEEL DRIVE

Place the cable so that the **belt end ①** of the cable is toward the rear of the vehicle. Turn the wheel facing out for ease of installation.

▼ REAR WHEEL DRIVE

Place the cable so that the **belt end ①** of the cable is toward the front of the vehicle.

▶ STEP ONE

Drape the cable over the tire making sure that the **cross cable connectors ②** are facing away from the tire or the sharp edges may damage your tire.



▶ STEP TWO

Center the cable on the tire so the belt ends are on the ground. Reach around the tire to the back side and hook the **T-clip ③** into the **buckle ④**. Then hook the **T-clip** into the **buckle** on the outside of the tire the same way as the inside. **Ⓐ**

▶ STEP THREE

Adjust the **cross cables ⑤** so they are straight across the tire tread and tighten the cable inside and outside equally by pulling on the **belt end with the rivet Ⓑ** until the cables are snug.

▶ **STEP FOUR**

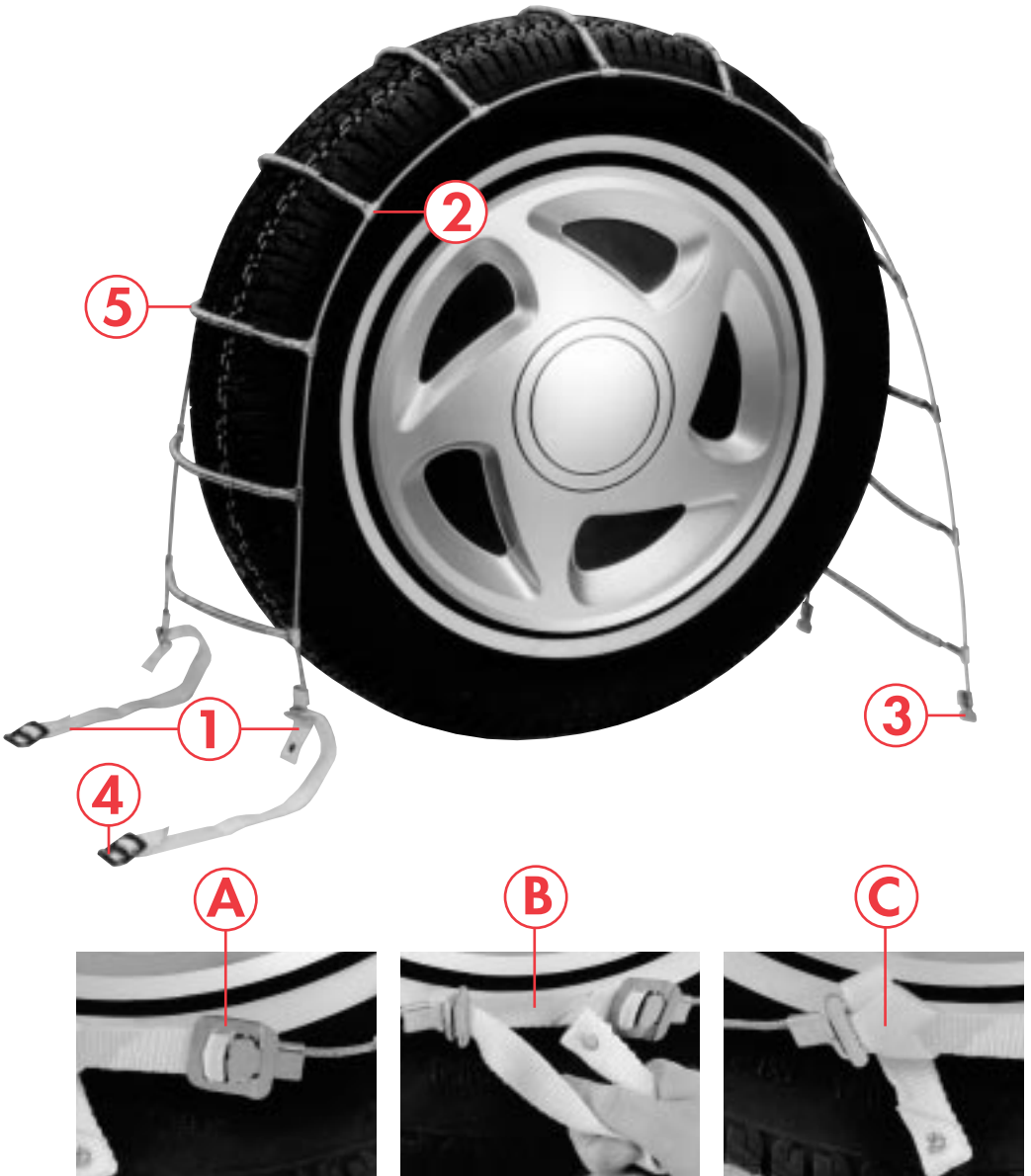
Wrap any excess length around the tightened portion of the belt and tuck behind belt. **C**

▶ **STEP FIVE**

After installation drive approximately 1/2 mile, not exceeding 30 mph. Stop vehicle on level ground with emergency brake on and tighten both belts. Be sure to retuck and tie the belt end around the belt before proceeding.

TO REMOVE TRACTION CABLES

Again, pull vehicle off road and engage emergency brake. Simply unhook the T-clip from the buckle. After removing, clean and spray cables with an all-purpose lubricant and store in the convenient container.





To Maximize Traction Cable Life:

- ▶ Driving on bare pavement, or at speeds exceeding 30MPH, will significantly reduce cable life. Cables are designed for safe, conservative driving.
- ▶ Do not use a tightening device across the side of the tire. It will pull the cable out of proper alignment.
- ▶ Traction cables are not to be used on snow tires.
- ▶ Avoid fast stops and spinning tires. Accelerate and decelerate slowly. Avoid hitting curbs and other sharp objects that might shear the cable.
- ▶ In the event a cross cable is sheared, stop immediately, secure or clip off the remaining cross cable close to the side cable and proceed cautiously. Tighten straps if necessary.

90 DAY LIMITED WARRANTY

(A) DISCLAIMER OF WARRANTIES: Peerless warrants free from defects in workmanship and material for 90 days from purchase date of this product to owner. Warranty does not include damage due to product failure, misuse, abuse or cost of inconvenience. No other express warranty is given and no affirmation, by words or action, shall constitute a warranty.

(B) REMEDIES: The buyer's sole remedy for breach of any warranty is limited exclusively to obtaining, at the discretion of the seller, either credit or repair or replacement of any product sold hereunder and manufactured by Peerless Chain Company within 90 days after delivery to the owner.

Defective product may be brought to the place of purchase, or returned, freight prepaid, to Peerless Chain Company, 1416 East Sanborn Street, Winona, MN 55987

SPEEDS OVER 30MPH, IMPROPER INSTALLATION OR IMPROPER FIT VOIDS THIS WARRANTY.

Although this warranty gives you specific rights, you may have other legal rights which differ from state to state. For more information please write: Peerless Chain Company, P.O. Box 5349, Winona, MN 55987-5349

Peerless Chain Company
1416 E. Sanborn Street, P.O. Box 5349
Winona, MN 55987-5349
Internet Address: <http://www.peerlesschain.com>
Email Address: custserv@peerlesschain.com

9670640