

Peerless Industrial Group

1416 East Sanborn St.,
Winona MN 55987

Phone: (800) 873-1916 • Fax: (800) 356-1149

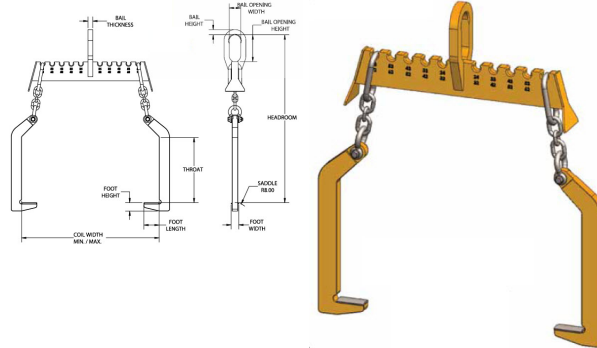
Email: custserv@peerlesschain.com

Website: www.peerlesschain.com



PEERLESS[®]
A KITO GROUP COMPANY

Item # NACL-30-72, NACL - Narrow Arm Coil Lifter



FEATURES

- This style of lifter is designed to economically handle coils with the eye horizontal.
- The manual adjusting legs easily adjust to the I.D. of the coil and require less aisle space for operation.
- Supplied with standard plate style legs with rounded corners to minimize coil damage. (Round bar legs can be supplied as an option.)
- Engineered and manufactured to ASME B30.20 & BTH-1 Design Category B Service Class 2.
- 100% of ALL Peerless Coil Lifters are Proof-Tested to 125% capacity and certificates are supplied at No Additional Charge.

OPTIONS

- Higher capacities
- Additional lengths
- Round bar legs
- Protective padding
- Parking stands

Capacity (Tons)	30
Coil Width Max/Min	24/72
Headroom	89
Foot Height	4.5
Foot Width	4
Foot Length	8
Throat Opening Height	34
Bail Height	2.75
Bail Opening Width	6
Bail Opening Height	14
Bail Thickness	2.5
Weight (Lbs.)	1100